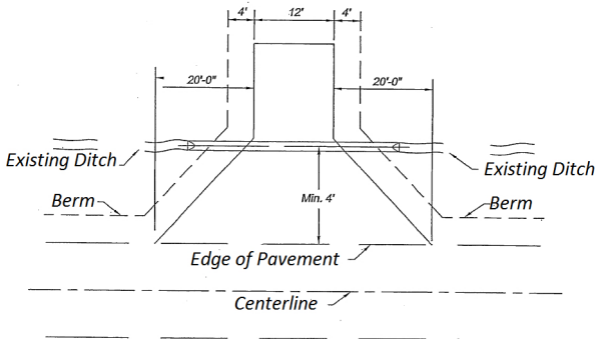
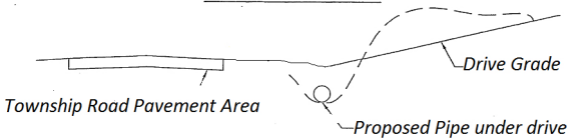


PLAN VIEW OF PRIVATE DRIVE



PROFILE OF DRIVE



1. All driveways must slope down from edge of pavement at least 1" per foot to ditch line before slope is started up grade. In no case shall the driveway or berm elevation be above the edge of pavement elevation within six (6) feet of the edge of the pavement.
2. Any driveway above the road must be crowned and ditched to assure the water doesn't go onto the Township Roadway. An excessive grade may have to be broken.
3. The drive must be covered with Aggregate prior to use.